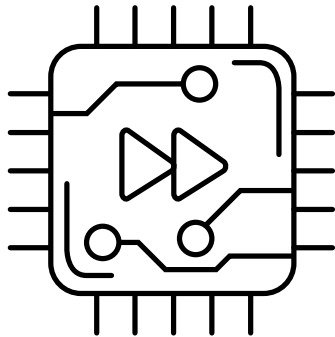
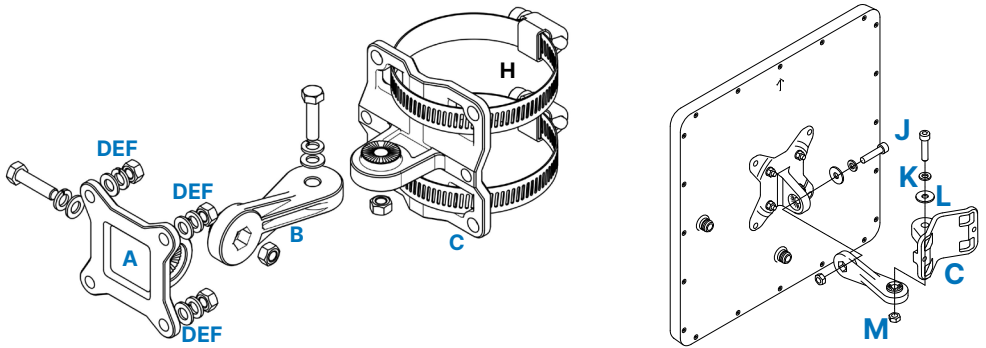


Mounting Instructions

LANCOM

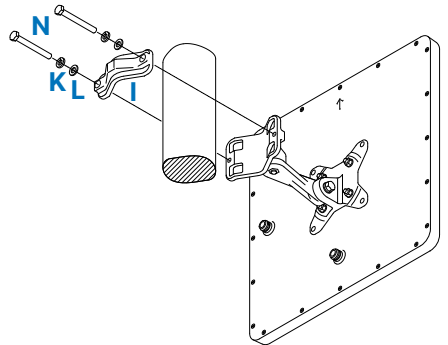
AirLancer ON-D8a





### Overview of the mounting kit

- 1 connection flange (A)
- 1 connection arm (B)
- 1 pole flange / wall bracket (C)
- 4 washers M6 (D)
- 4 spring washers M6 (E)
- 4 nuts M6 (F)
- 1 pole clamp for pole diameter up to 62.5 mm (H)
- 2 hexagon head screws M8×35 (J)
- 4 spring washers M8 (K)
- 4 washers M8 (L)
- 2 nuts M8 (M)
- 2 hexagon head screws M8×70 (N)



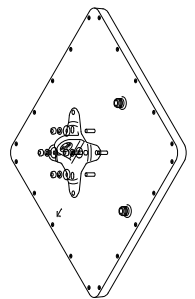
### Not included in the scope of delivery

- 2 band clamps for pole diameter > 62.5 mm (H)

### Mounting the antenna flange and connection arm

Screw the connection flange (A) to the back of the antenna housing using the enclosed washers (D), spring washers (E), and nuts (F). Make sure that the spring washers (E) are located directly under the nuts (F).

Then fasten the connection arm (B) hand-tight to the connection flange (A) using a screw (J), a spring washer (K), a washer (L), and a nut (M). Make sure that the spring washer (L) is located directly under the screw head.



### Preparation for wall mounting

If you want to mount the antenna on a wall, use the wall mount (C) as a drilling template to mark the drill holes for wall mounting.

Drill the corresponding holes at the markings and insert dowels (not included) into them if necessary. Depending on the wall material and condition, the depth and diameter of the holes must be adjusted.

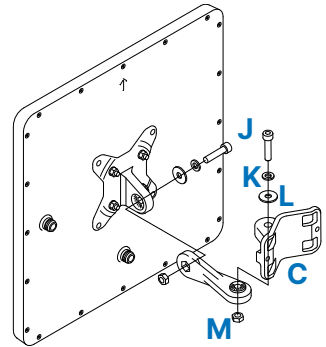
## Wall mounting of the antenna

Align the wall bracket with the drill holes and fasten it with suitable screws.

Now hand-tighten the connection arm **(B)** already mounted on the connection flange **(A)** to the wall bracket **(C)** using a screw **(J)**, a spring washer **(K)**, a washer **(L)**, and a nut **(M)**.

Make sure that the spring washer **(K)** is located directly under the screw head and that the arrow on the back of the antenna housing is pointing upwards.

Align the antenna according to your wishes and then tighten the screws of the connection arm with suitable torque.

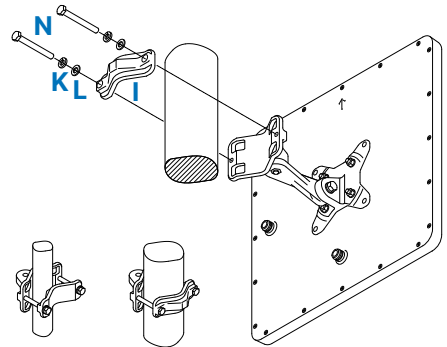


## Pole mounting of the antenna

Position the pole flange **(C)** at the desired height on a suitable pole with sufficient load-bearing capacity. Use the pole clamp **(I)** to attach to poles up to 62.5 mm in diameter.

Fasten the pole clamp **(I)** to the pole flange **(C)** using the two screws **(N)**, the spring washers **(K)**, and the washers **(L)**. Please note that the mast clamp must be rotated depending on the mast diameter.

For pole diameters over 62.5 mm, you need suitable band clamps **(H)** (not included in the scope of delivery) and guide them through the pole flange and around the pole as shown in the overview and tighten them after you have aligned the pole flange.



Then connect the pole flange **(C)** hand-tight to the connection arm **(B)** already mounted on the antenna using an enclosed screw **(J)**, a spring washer **(K)**, a washer **(L)**, and a nut **(M)**.

Make sure that the spring washer **(K)** is located directly under the screw head and that the arrow on the back of the antenna housing is pointing upwards.

Align the antenna according to your requirements and then tighten the screws of the connection arm with suitable torque.

## **Important information**

### **Responsible handling of high frequency**

In order to comply with the protection requirements of EU Directive 2014/53 and EN 62479 with regard to the basic restrictions for the safety of persons in electromagnetic fields and the „FCC Policy on Human Exposure to Radiofrequency Electromagnetic Fields“, it is necessary to configure the correct antenna gain in the WLAN router or WLAN access point.

### **Electrical and Electronic Equipment Act**

Please do not dispose of electrical and electronic waste in household waste, where it cannot be recycled. Make sure that your electrical and electronic waste is disposed of in accordance with the currently valid guidelines of your country.

### **Correct handling of antenna cables**

Antenna cables are sensitive RF cables. When laying them, it is therefore important to ensure that the cables are not kinked and are bent as little as possible, as this can result in losses in terms of antenna performance. Likewise, the antenna cables should not be wound into tight cable loops.

### **Antenna gain and termination of unused antenna ports on access points**

Unused antenna connections on the access point must be terminated with an enclosed rod antenna. For indoor access points, the terminating resistor included with the AirLancer AN-RPSMA-NJ adapter can be used. In addition, the antenna gain must be specified in the configuration of the access point.

---

**Technical data**

Frequency range 4,900 - 5,900 MHz

**Antenna characteristics**

Radiation patterns Horizontally: 8°  
Vertically: 8°

Recommended use Point-to-Point

VSWR 2.0:1 max.

Gain 21 dBi max.

**Mechanical Data**

Dimensions (mm) 370 × 370 × 30 (W x H x D)

Weight 1,800 g (Antenna without mounting kit)

Operating temperature -40° C to 85° C

Color Light grey

Material UV resistant plastic

Mounting options Wall- and pole mounting, alignable

Cables & Connectors 2× 100 cm ULA100 cable with N-Plug connector

**Item**

Warranty 2 years for AirLancer and accessories

Item no. 61708

Scope of delivery Antenna, 2 connection cables, mounting kit for wall and pole mounting