

R&S®LANCOM Switch Rack Mount L250

Universal L-shaped mounting bracket for R&S®LANCOM 19" switches

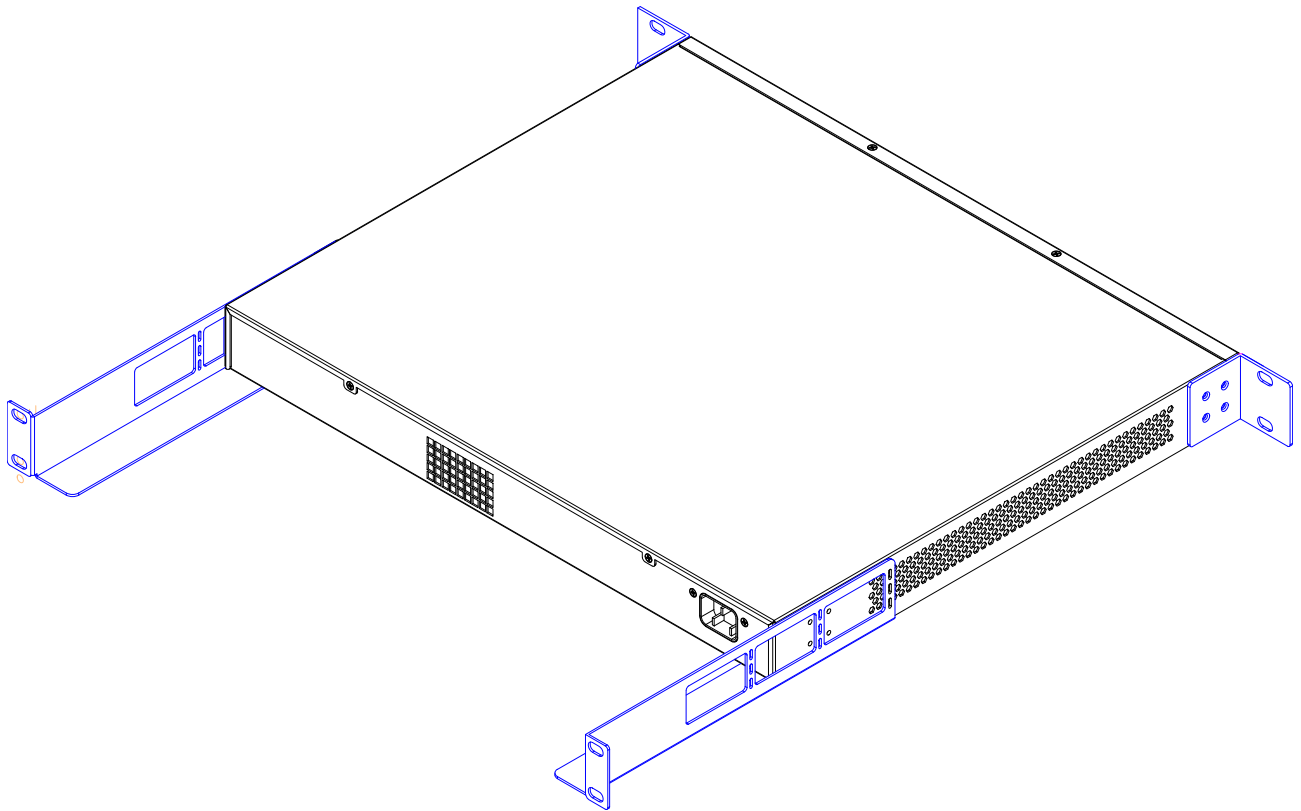


With the R&S®LANCOM Rack Mount L250 rails, larger R&S®LANCOM switches not only fit seamlessly into your network infrastructure, but can also be professionally mounted in a 19" rack with depths of 600 mm, while the required space remains one rack unit. The two L-shaped rails of this rack mount provide rear stabilization for switches with a minimum depth of 370 mm.

- ▶ Rack-mounting bracket for professional mounting of R&S®LANCOM switches in 19" racks
- ▶ Occupies one rack unit in the server rack incl. switch
- ▶ Hardened metal with black powder coating
- ▶ Dimensions (WxHxD): 46 x 49 x 250 mm
- ▶ Suitable for all switches with a depth of at least 370 mm
- ▶ Suitable for network racks of max. 600 mm depth

R&S® LANCOM Switch Rack Mount L250

| Compliant switches | |
|------------------------------------|---|
| R&S® LANCOM GS-3152XP | 61100 |
| R&S® LANCOM GS-3152XSP | 61486 |
| R&S® LANCOM GS-3152P | 61490 |
| R&S® LANCOM GS-3652XP | 61878 |
| R&S® LANCOM GS-3652XUP | 61879 |
| R&S® LANCOM XS-3550YUP | 61891 |
| R&S® LANCOM GS-3252P | 61876 |
| Note | XS-5116QF, XS-6128QF, GS-4500- and XS-4500 series, als well as YS-7154CF and CS-8132F have a rackmount kit already included in the shipping content |
| Item number | |
| R&S® LANCOM Switch Rack Mount L250 | 61432 |



Rohde & Schwarz Networks and Cybersecurity GmbH
 Adenauerstr. 20/B2
 52146 Wuerselen | Germany
info.rs-nc@rohde-schwarz.com | www.rohde-schwarz.com/networks-and-cybersecurity

R&S and Rohde & Schwarz are trademarks of Rohde & Schwarz GmbH & Co. KG, registered or used, among others, in Germany, the EU, the USA, China, and other countries. Other names or designations used may be registered trademarks of different companies or owners. This document contains forward-looking statements regarding products and product features. The publisher reserves the right to change these at any time without stating reasons. No liability is accepted for technical inaccuracies or omissions. 06/2026

ROHDE & SCHWARZ
 Make ideas real

