

R&S® AirLancer ON-360ag

Dual-band WLAN omni-directional antenna with 360° beam angle and 1x1 MIMO



The weatherproof R&S® LANCOM R&S® AirLancer ON-360ag omni-directional antenna provides effective WLAN over wide areas. Mounted centrally, it is ideal for 360° coverage in normal WLAN scenarios.

- ▶ WLAN omni-directional antenna with a 360° beam and +6.5 dBi at 2.4 GHz and +6 dBi gain at 5 GHz
- ▶ 1x1 MIMO technology for reliable WLAN coverage in simple scenarios
- ▶ Mounting kit, cables, and adapters included
- ▶ Connects to R&S® LANCOM indoor access points via the adapter R&S® AirLancer AN-RPSMA-NJ

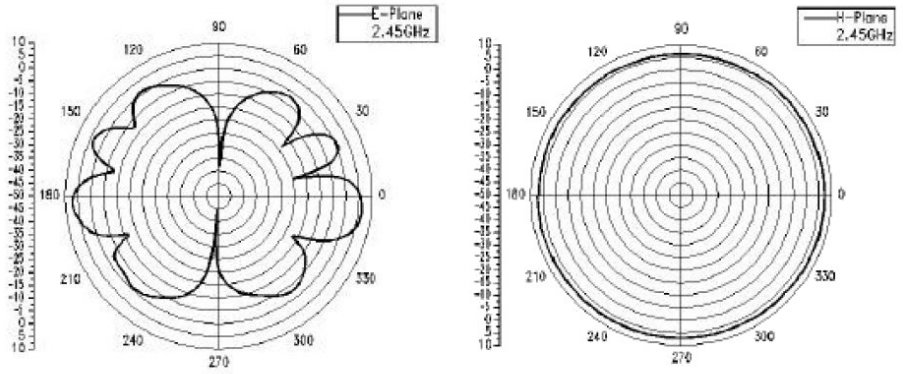
R&S® AirLancer ON-360ag

Technical Information	
Frequency range	2400 Mhz - 2500 Mhz and 4900 Mhz - 5900 Mhz
Impedance	50 Ohm
Polarization	vertical
Gain	6,5 dBi @ 2,4Ghz and 6 dBi @ 5Ghz
Half-Power-Beam-Width horizontal	360°
Half-Power-Beam-Width vertical	See pattern
VSWR	typ. 1.5:1 - max. 2.0:1
Mechanical Information	
Connector	1x N-Jack with 1m NP-NP cable
Dimensions	410 mm (L) x 22 mm (Diameter)
Weight	0,97 kg
Housing material	ASA plastic and aluminum
Color	white
Operating temperature	-20° to 65°C
Article	
Recommended use case	Hotspot / 360° coverage
Mounting material	Universal mount for wall and pole mount included
Support	
Warranty extension	2 years
Accessories	
Antenna cable	R&S® AirLancer cable NJ-NP 3m, item no. 61230, R&S® AirLancer cable NJ-NP 6m, item no. 61231, R&S® AirLancer cable NJ-NP 9m, item no. 61232
Adapter	R&S® AirLancer AN-RPSMA-NJ adapter to connect ON Antennas to R&S® LANCOM Indoor Access Points and IAPs, item no. 61259
Surge arrester (antenna cable)	R&S® AirLancer SN-ANT surge arrester (2.4 and 5 GHz), to be integrated between Access Point and antenna, item no. 61258
Fit for the following R&S® LANCOM devices	
Outdoor	R&S® LANCOM OAP Series 32x, 82x, 170x, OW-602, OX-6402
Indoor	All R&S® LANCOM Indoor Access Points mit externen Antennenanschlüssen and IAPs via separately available Adapter R&S® AirLancer AN-RPSMA-NJ*
*) Note	You need one adapter per antenna connector
Item number(s)	
R&S® AirLancer ON-360ag	61209

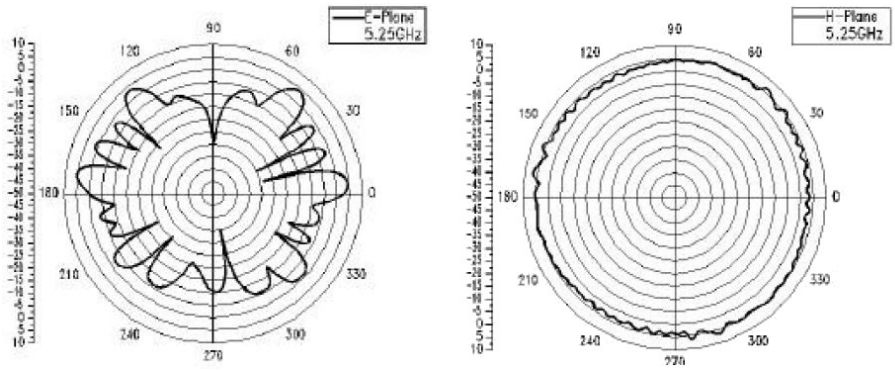
R&S® AirLancer ON-360ag

Antenna Gain

2.4 GHz



5 GHz



Rohde & Schwarz Networks and Cybersecurity GmbH
 Adenauerstr. 20/B2
 52146 Wuersele | Germany
info.rs-nc@rohde-schwarz.com | www.rohde-schwarz.com/networks-and-cybersecurity

R&S and Rohde & Schwarz are trademarks of Rohde & Schwarz GmbH & Co. KG, registered or used, among others, in Germany, the EU, the USA, China, and other countries. Other names or designations used may be registered trademarks of different companies or owners. This document contains forward-looking statements regarding products and product features. The publisher reserves the right to change these at any time without stating reasons. No liability is accepted for technical inaccuracies or omissions. 06/2026

ROHDE & SCHWARZ
 Make ideas real

